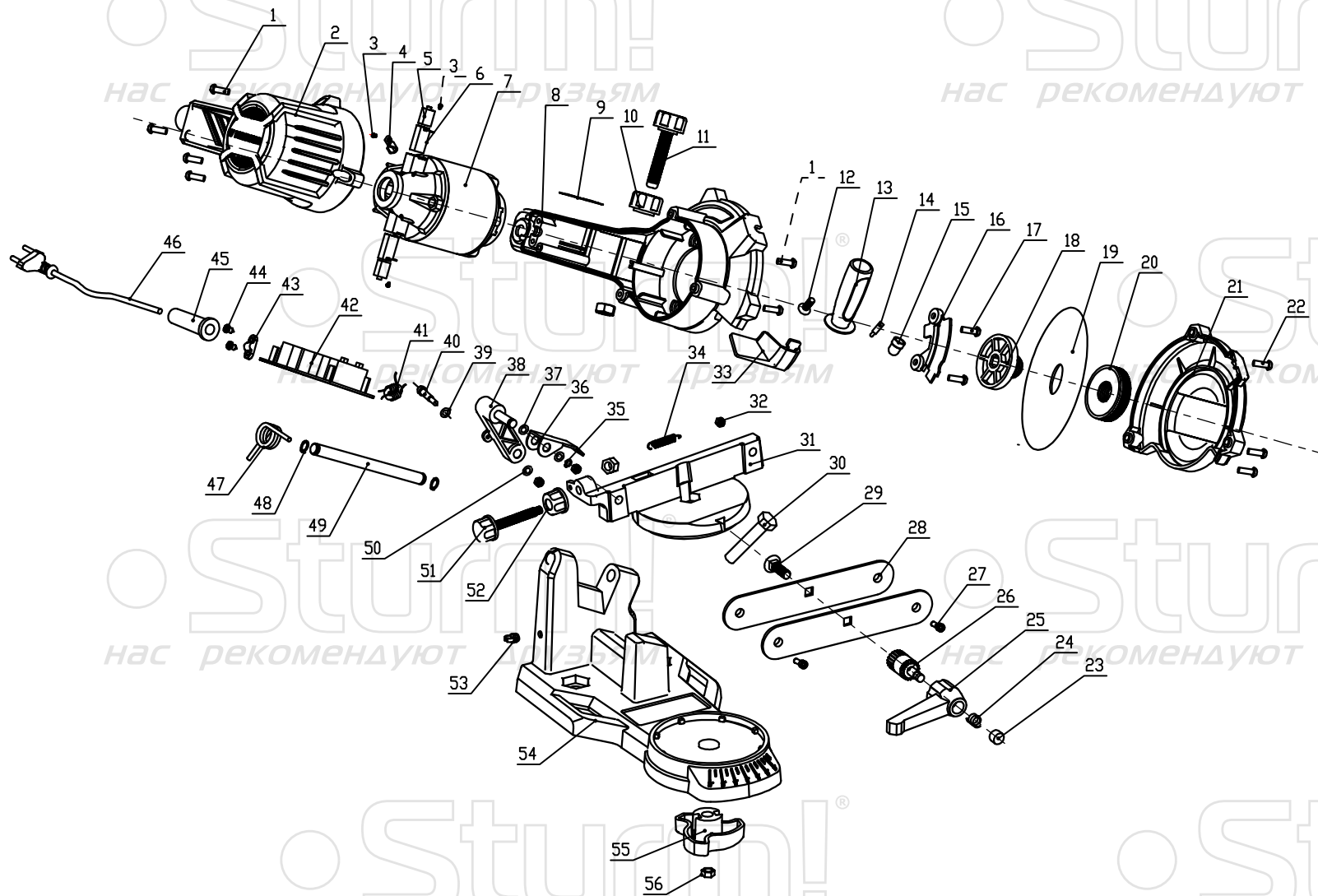


# BG6030



NO.	DESCRIPTION
1	SCREW 4*14
2	REAR COVER
3	SCREW 3X8
4	GROUNDING SHRAPNEL
5	CARBON BRUSH
6	CARBON BRUSH HOULDER
7	MOTOR
8	HOUSING
9	LABLE FOR SWITCH
10	RUBBER SCREWM8x90
11	RUBBER NUTM8X90
12	SCREW M6*18
13	HANDLE
14	LED LIGHT
15	LIGHT COVER
16	WIRE COVER
17	SCREW 4*8
18	DOWN PRESS BOARD
19	GRINDER
20	TOP PRESS BOARD
21	WHEEL GUARD
22	SCREW ST 4.2*12
23	SPRING CAP
24	SPRING
25	LOCK BUTTON
26	ADJUST PIN
27	HEXAGONAL BOLT M6*20
28	PRESSING PLATE
29	SQUARE BOLT M6*14
30	HEXAGONAL BOLT M8*40
31	ROTARY SEAT
32	NUT M6
33	TRANSPARENT COVER
34	SPRING
35	WASHERΦ6
36	PUSH BLOCK
37	RETAINER RING Φ6
38	PUSH ROD
39	WASHERΦ7
40	SCREW M6X21
41	INDUCTANCE
42	PCB
43	PRESSING PLATE
44	SCREW ST4*12
45	CABLE COVER
46	CABLE
47	TORSION SPRING
48	SHIELD WASHER Φ7
49	ROTATE PIN
50	WASHERΦ6
51	PLASTIC NUT
52	PLASTIC BOLT
53	CABLE CLIP
54	ALUMINIUM SEAT
55	KNOB
56	NUT M8